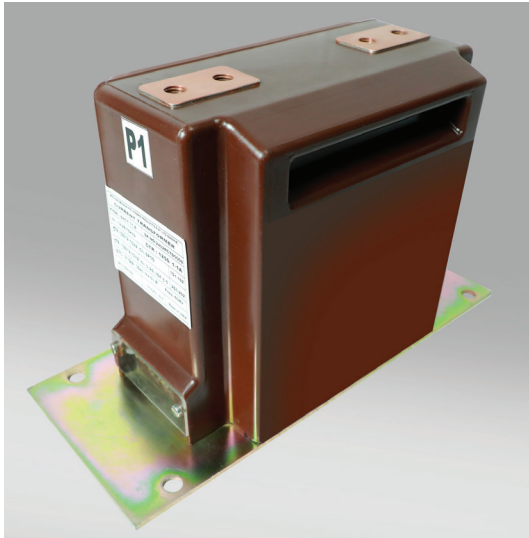


## INDOOR RESIN CAST TYPE CTs



## CIR 11-A

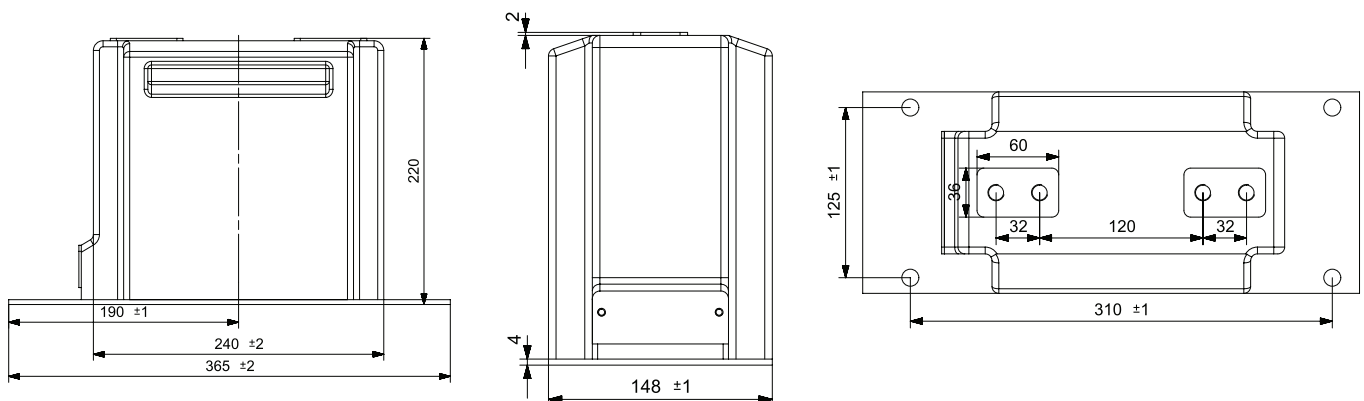
## INDOOR RESIN CAST TYPE CT CIR 11-A

- Superior aesthetics
- Robust construction with high mechanical strength high reliability
- Metering, relaying, special protection class
- Traceable routine test reports
- Type tested from the reputed laboratories
- Faster deliveries

### Technical Data

Type of Insulation	Epoxy Resin
Highest System Voltage	3.6KV to 12KV
Rated Power Frequency Voltage	Up to 28KV
Impulse Withstand voltage	Up to 75KVp
Rated Frequency	50Hz / 60 Hz
Rated Primary Current	20A – 1250A
Rated Secondary Current	1A/5A
Rated short-time thermal current I <sub>th</sub>	44KA Max
Short Time Dynamic Withstand Current	100 Max
Number of Cores	1, 2 or as per requirement
Continuous thermal rating factor	1.5 at 30°C ambient and 1.33 at 55°C
Output /Accuracy	As per requirement
Applicable Standard	IEC 61869-1&2, ANSI C 57.13

### Dimension & Drawing



Note - We also design and manufacture current transformers and voltage transformers as per requirements.

## INDOOR RESIN CAST TYPE CTs



## CIR 11-B

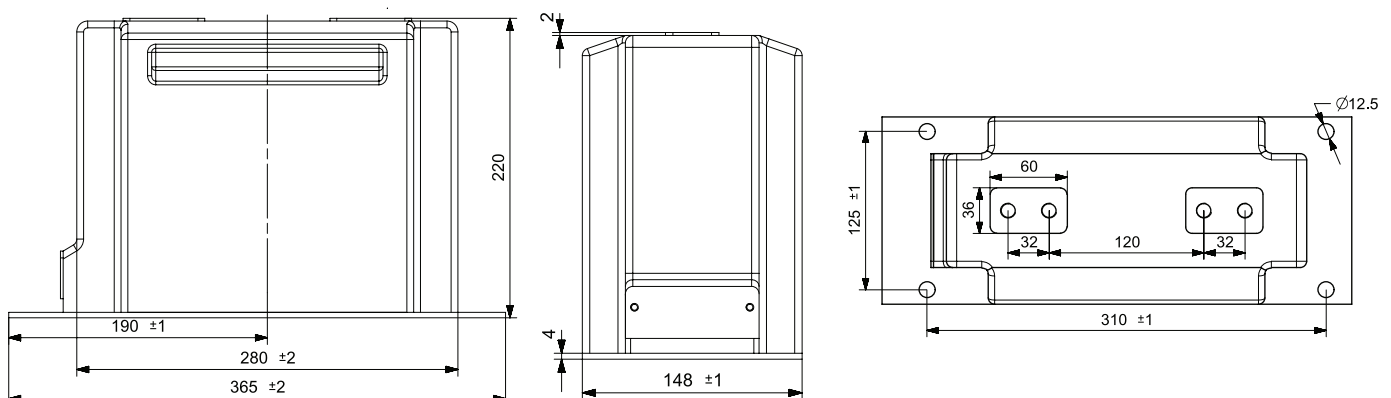
INDOOR RESIN  
CAST TYPE CT CIR 11-B

- Superior aesthetics
- Robust construction with high mechanical strength high reliability
- Metering, relaying, special protection class
- Traceable routine test reports
- Type tested from the reputed laboratories
- Faster deliveries

## Technical Data

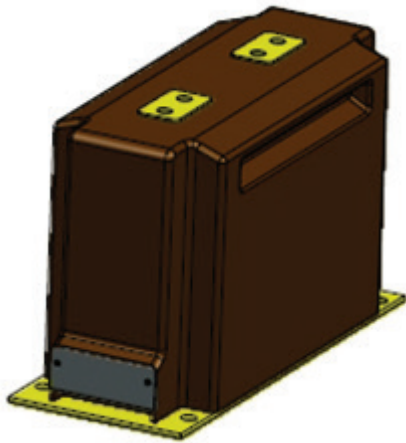
Type of Insulation	Epoxy Resin
Highest System Voltage	3.6KV to 17.5KV
Rated Power Frequency Voltage	Up to 35KV
Impulse Withstand voltage	Up to 95KVp
Rated Frequency	50Hz / 60 Hz
Rated Primary Current	20A – 1250A
Rated Secondary Current	1A/5A
Rated short-time thermal current Ith	44KA Max
Short Time Dynamic Withstand Current	100 Max
Number of Cores	1, 2 or as per requirement
Continuous thermal rating factor	1.5 at 30°C ambient and 1.33 at 55°C
Output /Accuracy	As per requirement
Applicable Standard	IEC 61869-1&2, ANSI C 57.13

## Dimension &amp; Drawing



Note - We also design and manufacture current transformers and voltage transformers as per requirements.

## INDOOR RESIN CAST TYPE CTs



## CIR 11-C

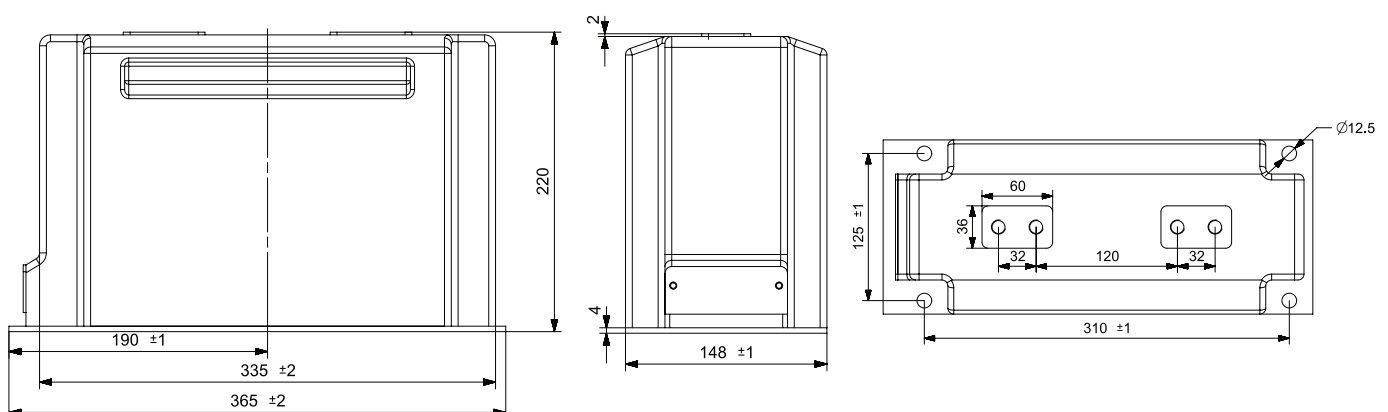
INDOOR RESIN  
CAST TYPE CT CIR 11-C

- Superior aesthetics
- Robust construction with high mechanical strength high reliability
- Metering, relying, special protection class
- Traceable routine test reports
- Type tested from the reputed laboratories
- Faster deliveries

## Technical Data

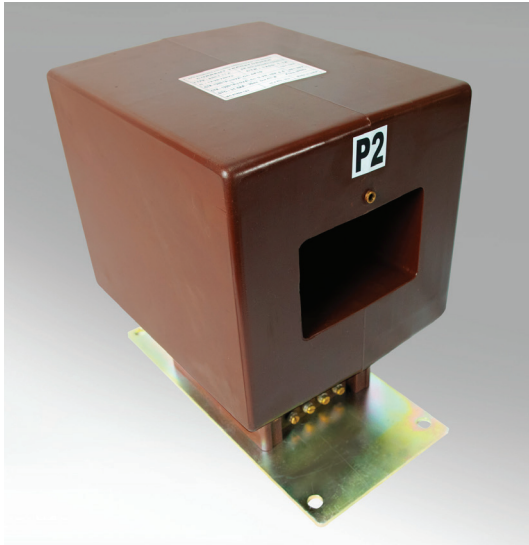
Type of Insulation	Epoxy Resin
Highest System Voltage	3.6KV to 17.5KV
Rated Power Frequency Voltage	Up to 35KV
Impulse Withstand voltage	Up to 95KVp
Rated Frequency	50Hz / 60 Hz
Rated Primary Current	100A – 1250A
Rated Secondary Current	1A/5A
Rated short-time thermal current I <sub>th</sub>	44KA Max
Short Time Dynamic Withstand Current	100 Max
Number of Cores	1, 2 or as per requirement
Continuous thermal rating factor	1.5 at 30°C ambient and 1.33 at 55°C
Output /Accuracy	As per requirement
Applicable Standard	IEC 61869-1&2, ANSI C 57.13

## Dimension &amp; Drawing



Note - We also design and manufacture current transformers and voltage transformers as per requirements.

## INDOOR RESIN CAST TYPE CTs



## INDOOR RESIN CAST TYPE CT CIR 11-D

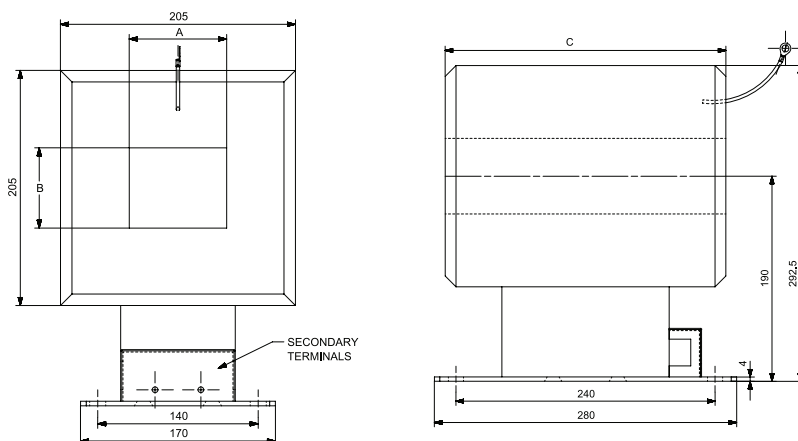
- Superior aesthetics
- Robust construction with high mechanical strength high reliability
- Metering, relaying, special protection class
- Traceable routine test reports
- Type tested from the reputed laboratories
- Faster deliveries

### CIR 11-D

#### Technical Data

Type of Insulation	Epoxy Resin
Highest System Voltage	3.6KV to 12KV
Rated Power Frequency Voltage	Up to 28KV
Impulse Withstand voltage	Up to 75KVp
Rated Frequency	50Hz / 60 Hz
Rated Primary Current	400A – 3000A
Rated Secondary Current	1A/5A
Rated short-time thermal current I <sub>th</sub>	44KA Max
Short Time Dynamic Withstand Current	100 Max
Number of Cores	1, 2 or as per requirement
Continuous thermal rating factor	1.5 at 30°C ambient and 1.33 at 55°C
Output /Accuracy	As per requirement
Applicable Standard	IEC 61869-1&2, ANSI C 57.13

#### Dimension & Drawing



Note - We also design and manufacture current transformers and voltage transformers as per requirements.

## INDOOR RESIN CAST TYPE CTs

**CIR 11-E**

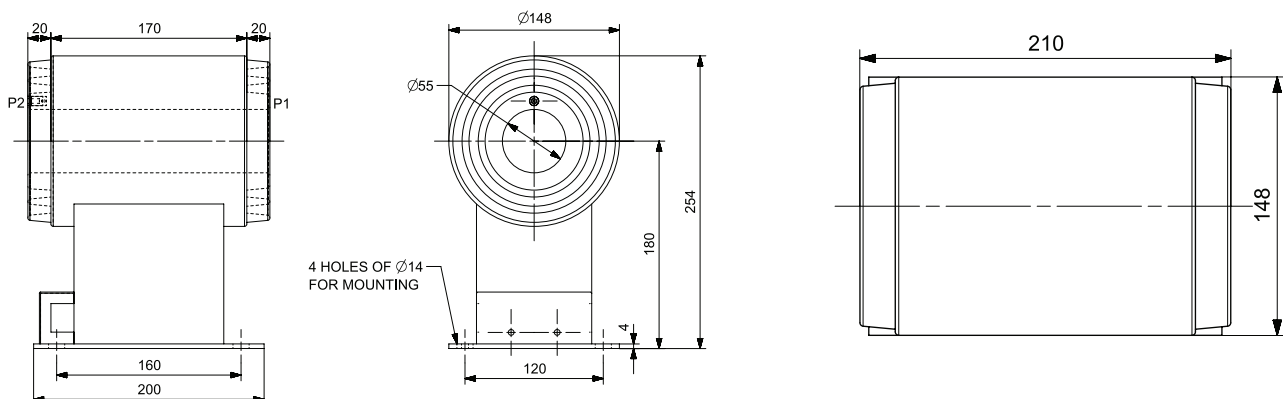
## INDOOR RESIN CAST TYPE CT CIR 11-E

- Superior aesthetics
- Robust construction with high mechanical strength high reliability
- Metering, relaying, special protection class
- Traceable routine test reports
- Type tested from the reputed laboratories
- Faster deliveries

### Technical Data

Type of Insulation	Epoxy Resin
Highest System Voltage	3.6KV to 12KV
Rated Power Frequency Voltage	Up to 28KV
Impulse Withstand voltage	Up to 75KVp
Rated Frequency	50Hz / 60 Hz
Rated Primary Current	400A – 3000A
Rated Secondary Current	1A/5A
Rated short-time thermal current I <sub>th</sub>	44KA Max
Short Time Dynamic Withstand Current	100 Max
Number of Cores	1, 2 or as per requirement
Continuous thermal rating factor	1.5 at 30°C ambient and 1.33 at 55°C
Output /Accuracy	As per requirement
Applicable Standard	IEC 61869-1&2, ANSI C 57.13

### Dimension & Drawing



Note - We also design and manufacture current transformers and voltage transformers as per requirements.

## INDOOR RESIN CAST TYPE CTs

**CIR 33-A**

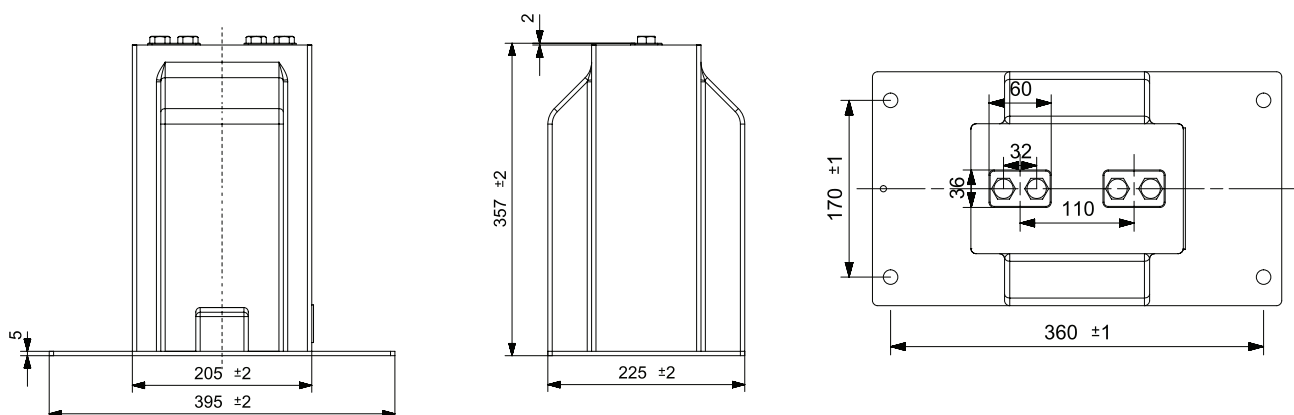
## INDOOR RESIN CAST TYPE CT CIR 33-A

- Superior aesthetics
- Robust construction with high mechanical strength high reliability
- Metering, relaying, special protection class
- Traceable routine test reports
- Type tested from the reputed laboratories
- Faster deliveries

### Technical Data

Type of Insulation	Epoxy Resin
Highest System Voltage	Up to 36KV
Rated Power Frequency Voltage	Up to 70KV
Impulse Withstand voltage	Up to 170KVp
Rated Frequency	50Hz / 60 Hz
Rated Primary Current	50A – 1250A
Rated Secondary Current	1A/5A
Rated short-time thermal current I <sub>th</sub>	44KA Max
Short Time Dynamic Withstand Current	100 Max
Number of Cores	1, 2 or as per requirement
Continuous thermal rating factor	1.5 at 30°C ambient and 1.33 at 55°C
Output /Accuracy	As per requirement
Applicable Standard	IEC 61869-1&2, ANSI C 57.13

### Dimension & Drawing



Note - We also design and manufacture current transformers and voltage transformers as per requirements.

## INDOOR RESIN CAST TYPE CTs



## INDOOR RESIN CAST TYPE CT CIR 33-B

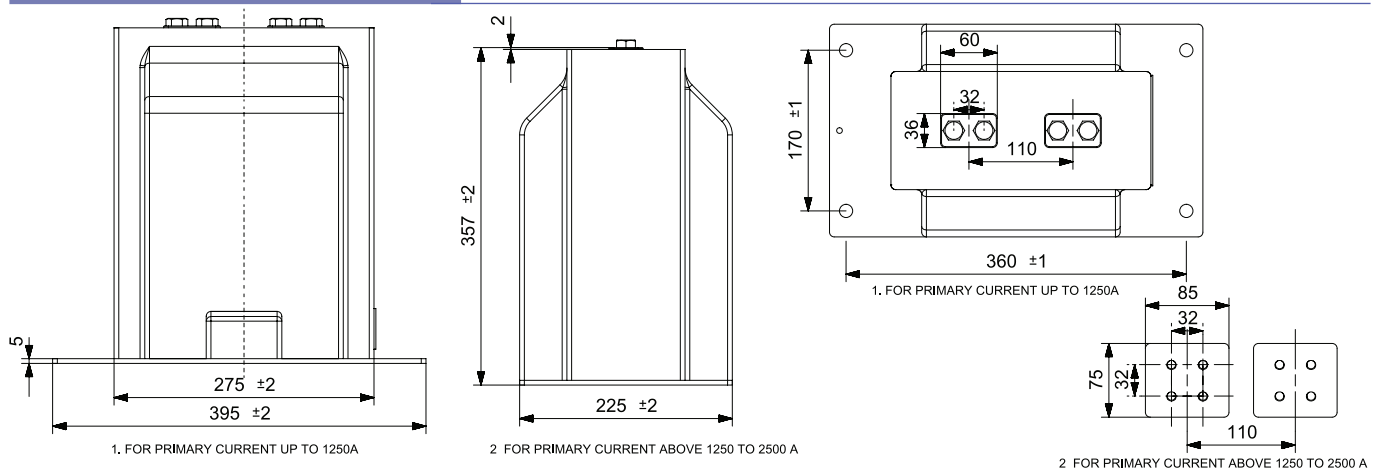
- Superior aesthetics
- Robust construction with high mechanical strength high reliability
- Metering, relaying, special protection class
- Traceable routine test reports
- Type tested from the reputed laboratories
- Faster deliveries

### CIR 33-B

#### Technical Data

Type of Insulation	Epoxy Resin
Highest System Voltage	Up to 36KV
Rated Power Frequency Voltage	Up to 70KV
Impulse Withstand voltage	Up to 170KVp
Rated Frequency	50Hz / 60 Hz
Rated Primary Current	50A – 1250A
Rated Secondary Current	1A/5A
Rated short-time thermal current I <sub>th</sub>	44KA Max
Short Time Dynamic Withstand Current	100 Max
Number of Cores	1, 2 or as per requirement
Continuous thermal rating factor	1.5 at 30°C ambient and 1.33 at 55°C
Output /Accuracy	As per requirement
Applicable Standard	IEC 61869-1&2, ANSI C 57.13

#### Dimension & Drawing



Note - We also design and manufacture current transformers and voltage transformers as per requirements.

## INDOOR RESIN CAST TYPE CTs



## CIR 33-C

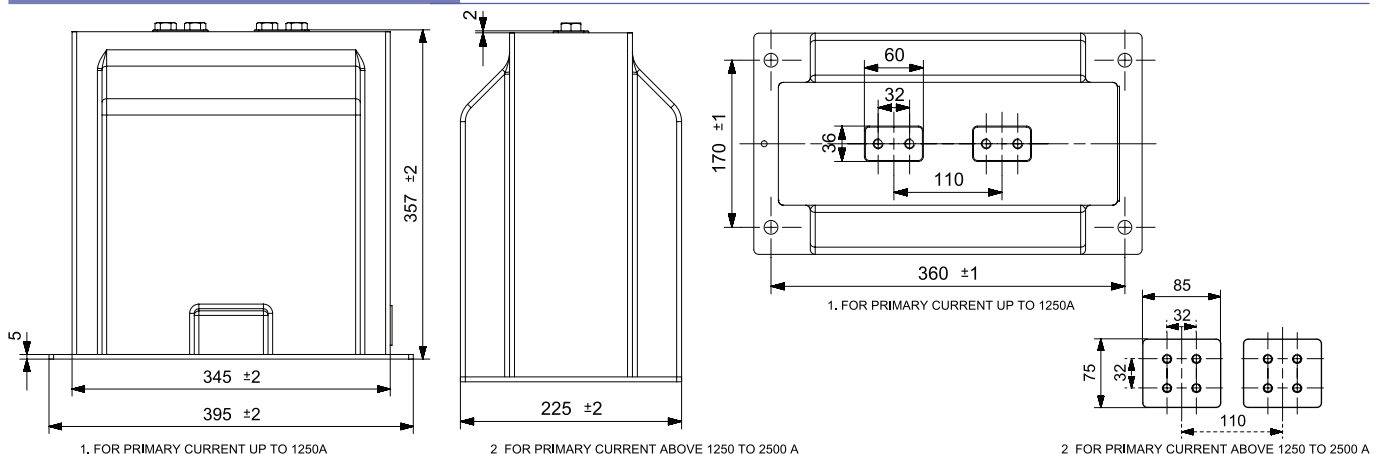
INDOOR RESIN  
CAST TYPE CT CIR 33-C

- Superior aesthetics
- Robust construction with high mechanical strength high reliability
- Metering, relaying, special protection class
- Traceable routine test reports
- Type tested from the reputed laboratories
- Faster deliveries

## Technical Data

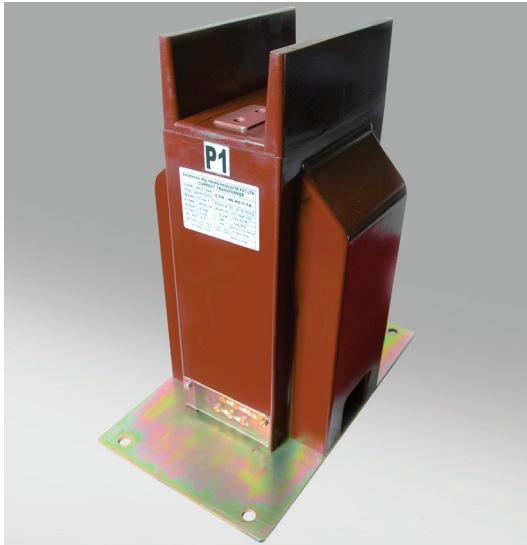
Type of Insulation	Epoxy Resin
Highest System Voltage	Up to 36KV
Rated Power Frequency Voltage	Up to 70KV
Impulse Withstand voltage	Up to 170KVp
Rated Frequency	50Hz / 60 Hz
Rated Primary Current	50A – 2500A
Rated Secondary Current	1A/5A
Rated short-time thermal current I <sub>th</sub>	44KA Max
Short Time Dynamic Withstand Current	100 Max
Number of Cores	1, 2 or as per requirement
Continuous thermal rating factor	1.5 at 30°C ambient and 1.33 at 55°C
Output /Accuracy	As per requirement
Applicable Standard	IEC 61869-1&2, ANSI C 57.13

## Dimension &amp; Drawing



Note - We also design and manufacture current transformers and voltage transformers as per requirements.

## INDOOR RESIN CAST TYPE CTs



## CIR 33-AW

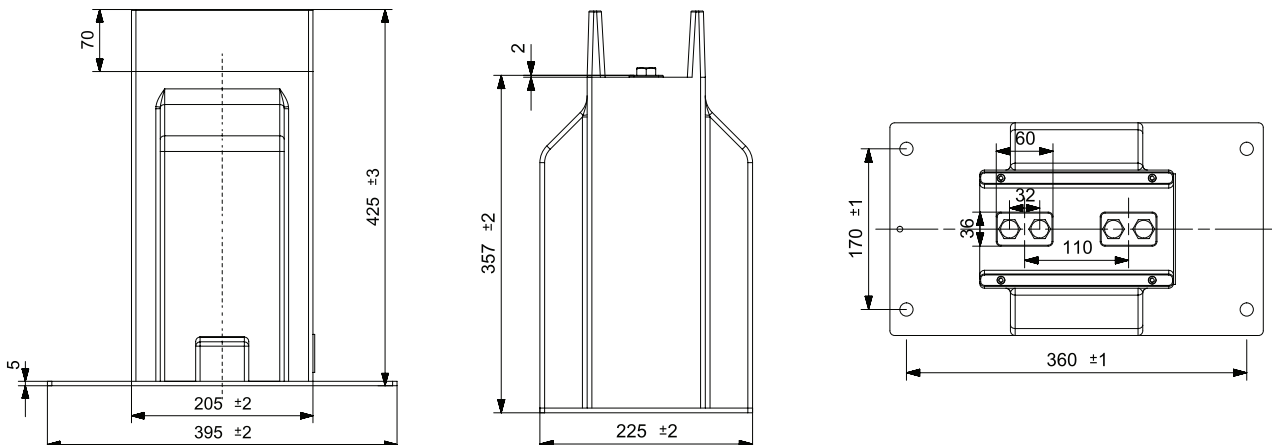
INDOOR RESIN  
CAST TYPE CT CIR 33-AW

- Superior aesthetics
- Robust construction with high mechanical strength high reliability
- Metering, relaying, special protection class
- Traceable routine test reports
- Type tested from the reputed laboratories
- Faster deliveries

## Technical Data

Type of Insulation	Epoxy Resin
Highest System Voltage	Up to 36KV
Rated Power Frequency Voltage	Up to 70KV
Impulse Withstand voltage	Up to 170KVp
Rated Frequency	50Hz / 60 Hz
Rated Primary Current	50A – 1250A
Rated Secondary Current	1A/5A
Rated short-time thermal current I <sub>th</sub>	44KA Max
Short Time Dynamic Withstand Current	100 Max
Number of Cores	1, 2 or as per requirement
Continuous thermal rating factor	1.5 at 30°C ambient and 1.33 at 55°C
Output /Accuracy	As per requirement
Applicable Standard	IEC 61869-1&2, ANSI C 57.13

## Dimension &amp; Drawing

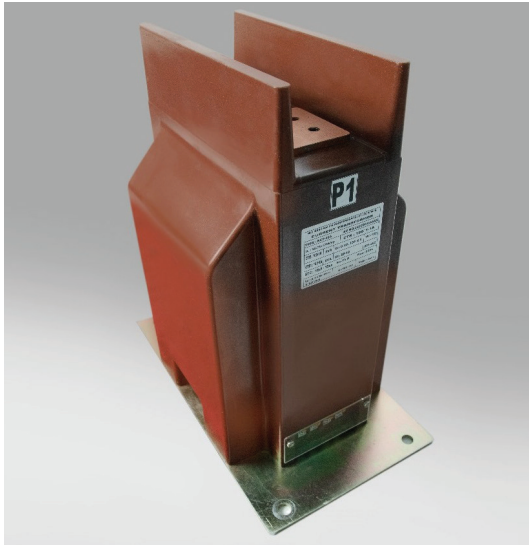


Note - We also design and manufacture current transformers and voltage transformers as per requirements.



INDOOR RESIN CAST TYPE CTs

# INDOOR RESIN CAST TYPE CT CIR 33-CW



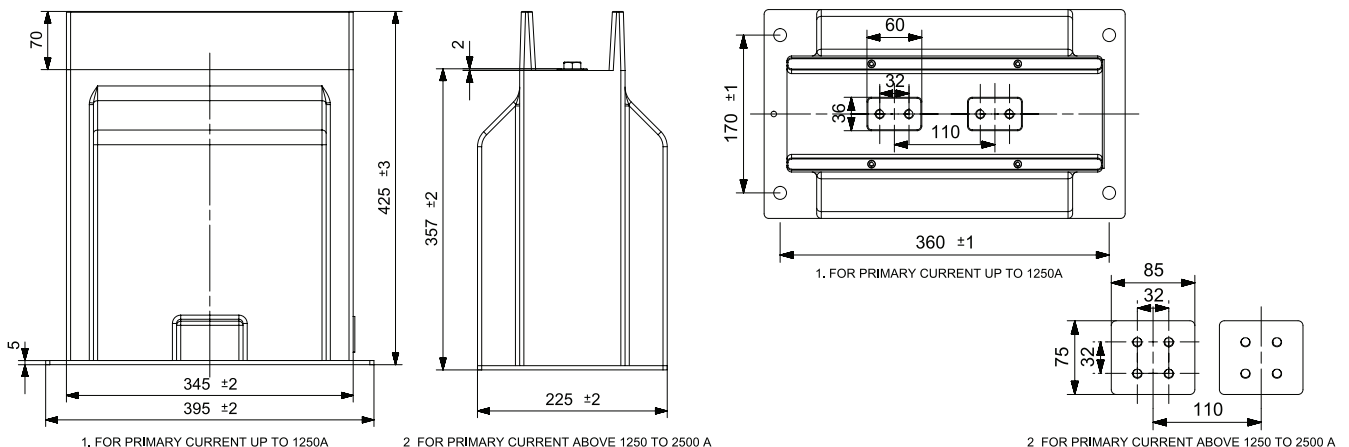
- Superior aesthetics
- Robust construction with high mechanical strength high reliability
- Metering, relaying, special protection class
- Traceable routine test reports
- Type tested from the reputed laboratories
- Faster deliveries

## CIR 33-CW

### Technical Data

Type of Insulation	Epoxy Resin
Highest System Voltage	Up to 36KV
Rated Power Frequency Voltage	Up to 70KV
Impulse Withstand voltage	Up to 170KVp
Rated Frequency	50Hz / 60 Hz
Rated Primary Current	50A – 2500A
Rated Secondary Current	1A/5A
Rated short-time thermal current I <sub>th</sub>	44KA Max
Short Time Dynamic Withstand Current	100 Max
Number of Cores	1, 2 or as per requirement
Continuous thermal rating factor	1.5 at 30°C ambient and 1.33 at 55°C
Output /Accuracy	As per requirement
Applicable Standard	IEC 61869-1&2, ANSI C 57.13

### Dimension & Drawing



Note - We also design and manufacture current transformers and voltage transformers as per requirements.